



당사제품은 ISO14001, 9001인증 및 한국생산기술원의 성능검사와 해외수출에 필요한 CE, 신기술 및 우수품질을 인정하는 NEP, S마크를 획득하고 경기도 유망 중소기업, 벤처기업, 이노비즈 기업으로 선정된 우수 제품입니다.

# KOREA HOIST

Pioneer, One Source, One Responsibility  
for Material Handling System.

- Air Hoist
- Air Balancer
- KH Track System
- Baby Hoist
- Workman
- Explosion Proof Type Manual Chain Block
- KH Balaman
- Crane
- Air Winch
- LNG Pump Lifter
- Air Motor
- Air Hand Drill
- Electric Hoist



고려호이스트  
KOREA HOIST

안정성, 경제성, 탁월한 성능은 고려호이스트의 기술이며 자랑입니다.



# KOREA HOIST

Proudly Provided Solutions for  
Material Handling System



## Company History (회사연혁)

- 1992. 03 Initially founded of Korea Hoist Co., Ltd.
- 1999. 10 Awarded Prime Minister
- 2000. 06 Qualified New Technology
- 2000. 07 Appointed as Promising Foreign Exporter
- 2000. 07 EC Attestation of Conformity (Air Hoist, Air Balancer, KH-Track System)
- 2000. 07 ISO 9001 Certified
- 2002. 06 Established Research & Development Center
- 2003. 10 Qualified as Excellent Machine, Mechanism and Material (EM)
- 2004. 05 Certificated S-Mark (KOSHA)
- 2004. 08 Completed SIHWA 2nd Factory
- 2004. 08 Appointed as Promising Foreign Exporter
- 2004. 12 Awarded 2004 Korea World Class Product
- 2005. 02 Licensed as System builder on Construction
- 2006. 06 ISO 14001 Certified
- 2008. 10 CE Mark (Electric Hoist)
- 2009. 12 ATEX CERT (Junction Box, Empty Frame proof enclosure, Pendant Switch)

## Technical Achievement (기술현황)

- 1995. 05 Development of Electric Chain Hoist
- 1996. 03 Development of KH Track System
- 1997. 12 Development of Air Hoist
- 1998. 11 Development of Air Balancer
- 2000. 06 Development of Air Motor
- 2001. 12 Development of Explosion proof type Air Winch
- 2003. 09 Development of Offshore Manual Hoist
- 2006. 05 Development of Offshore Air Hoist
- 2006. 09 Development of Air Hand Drill
- 2007. 07 Development of Zero Balancer (EA, EW, EP, Series)
- 2007. 10 Development of Electric Winch
- 2009. 10 Development of Baby Hoist (PMDC 240V Type)

## Industrial Rights (산업재산권 취득현황)

- 2001. 05 Utility for 'Air Hoist with Double Hook Type'
- 2001. 09 Patent for 'Safety system of Air Balancing Hoist'
- 2002. 02 Utility for 'Over load protector for Air Hoist'
- 2002. 11 Utility for 'Over load protector for Air Winch'
- 2004. 02 Patent for 'Safety device of Air Balancer'(US)
- 2004. 06 Utility for 'Air balancer of having Swing Arm'
- 2004. 06 Utility for 'Safety system of Air Balancer'
- 2004. 06 Utility for '4points Control Switch of Air Hoist'
- 2005. 03 Utility for 'Air Orbital Sander'
- 2005. 03 Patent for 'Brake device Air Balancing Hoist'
- 2005. 07 Patent for 'Over load protector for Crane'
- 2006. 07 Patent for 'Over load protecting device of Double Drum Type'
- 2006. 08 Patent for 'Safety device of Air Balancing Hoist'(US)
- 2006. 08 Patent for 'Hoist of having Double Brake'
- 2006. 08 Utility for 'Explosion proof Switch for Electric Hoist'
- 2006. 11 Patent for 'Control device for Air Balancing Hoist'
- 2006. 12 Patent for 'Double Arm Air Balancer equipped with Safety device'
- 2007. 03 Patent for 'Spark proof and Low head chain Hoist'



KH Track System





## Greeting

**KOREA HOIST** has provided overhead material handling solutions as a specialized maker. We have mainly produced Air Hoist, Air Balancer, KH Track System, Air Motor, Air Winch, and Hoist Crane based on the accumulated Know-How, technical and R&D as well as investment in equipment. We offer products of high quality with a reasonable price to a customer.

**KOREA HOIST** is making enormous efforts to become a world leader in the industry, especially in the fields of material handling system. In particular, **KOREA HOIST** has a competitive edge in strategy and knowledge in the industry.

**KOREA HOIST** will not remain complacent with our current credibility and reputation rather we continually strive to improve our products for Material Handling System Maker.

**KOREA HOIST** hope that we can have your constant support in the future, just as you have been supportive in the past. We promise to be a true leader of the current change in the 21st century.



대표이사 남상경

President, Sang-Kyung Nam

*S. K. Nam*

# Contents



KH Balaman



Workman



Air Winch



Explosion Proof Type Manual Chain Block

- 04 | Air Hoist
- 06 | Air Balancer
- 08 | KH Track System
- 10 | KH Balaman
- 11 | Workman
- 12 | Baby Hoist  
Winch  
Air Motor  
Air Hand Drill
- 14 | Explosion Proof Type  
Manual Chain Block
- 15 | Special Hoist

# Air Hoist

- Superior Operational Efficiency and Durability at High Temperature, Humidity and Moisture.
- Free Speed Control, Low Noise level and vibration
- Anti Explosion at Hazardous atmospheres.
- Lowering by Gravity when Break down of Brake System.
- Durable Drum Brake for Safety breaking.
- Compact Design : Light Weight and Portable.

## Air Hoist Compact Design

Patent No : 2001-0035359  
2003-009547  
2000-0023691



Air Motor Trolley



KA1S Series

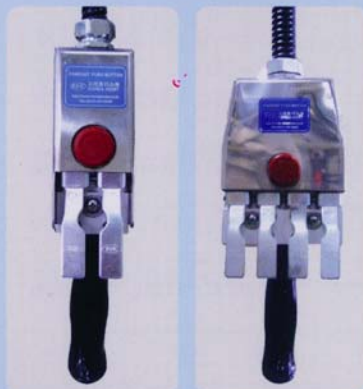


KA5S Series



KA5M Series

Push Button with  
Emergency Stop



2 point

4 point



Super Low Head Air Hoist

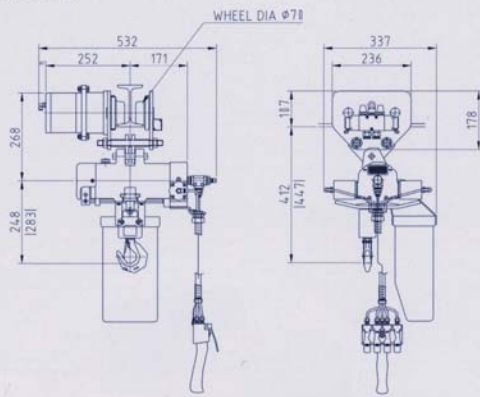
## KHC Super Air Hoist

### ► Specifications (KA5 Series)

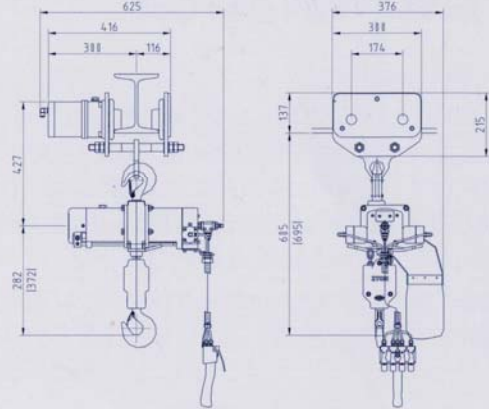
Model	Capacity (kg)	Lifting Speed (m/min)	Standard Lift (m)	Air Consumption (N-l/min)
KA5S-P05 KA5M-P05	5,000	2.7	3	3
KA5S-P10 KA5M-P10	10,000	1.35	3	3
KA5S-P15 KA5M-P15	15,000	0.9	3	3
KA5S-P20 KA5M-P20	20,000	0.67	3	3

Note : Specifications are subject to change without prior notice.

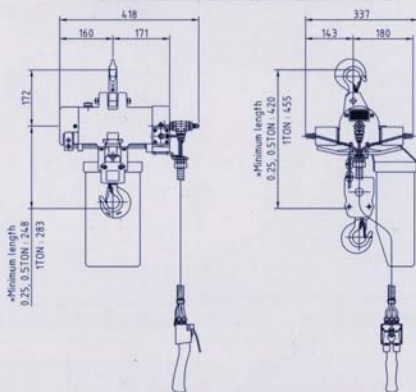
## Dimensions



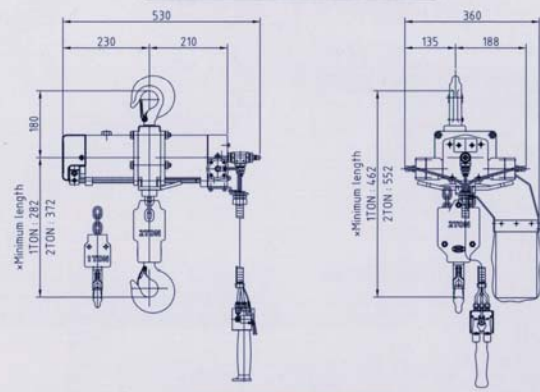
KA1M-025, 050(100)



KA2M-100(200)



KA1S-025, 050(100)



KA2S-100(200)

\* We can renew the product on this catalogue without a notice in order to improve its ability.

## ► Specifications (KA1,2 Series)

Model	Capacity (kg)	Lifting Speed(m/min)				Lift(m)	Air Pressure (kgf/cm <sup>2</sup> )	Air Consumption (N-m <sup>3</sup> /min)	Weight(kg)	Hose Dia(mm)
		No Load		Rated Load						
		Up	Down	Up	Down					
KA1S-025 KA1M-025	250	17	15	10	19	3	6	1.4	23 41	$\phi 12/L=$ Less than 10m $\phi 20/L=$ Less 10~20m
KA1S-050 KA1M-050	500	17	15	7.5	24	3	6	1.4	23 47	
KA1S-100 KA1M-100	1,000	8.5	6.5	3.5	12	3	6	1.4	33 57	
KA2S-100 KA2M-100	1,000	9	7	4.5	11	3	6	1.8	40 70	
KA2S-200 KA2M-200	2,000	4.5	3.5	2.3	5.5	3	6	1.8	45 75	

## ► Specifications (KA3 Series)

Model	Capacity (kg)	Lifting Speed (m/min)	Standard Lift (m)	Air Pressure (kgf/cm <sup>2</sup> )	Air Consumption (N-m <sup>3</sup> /min)	Chain Size (mm)	Weight (Kg)	Hose Dia (mm)
KA3S-300 KA3M-300	3,000	2.6	3	6	3.14	11.2	75 140	3/4"
KA3S-600 KA3M-600	6,000	1.2	3	6	3.14	11.2	96 200	1"

## Trolley

	I-Beam Type	KH-Track Type
Min Radius(mm)	1,500	1,000
Travelling Speed(m/min)	1~25	Manual
Size	100, 125, 150	KH- I , II-L, II
Remarks	0.5~6 ton	0.25~1 ton

Note : - Pull code type(PL), Pendant Push Button type(PB) depend on request.

- specifications are subject to change without prior notice.

Warning : The equipment shown and described in this catalogue should not be used to lift or transport people.

# Air Balancer

- Offering both of Hoisting and Floating at the same time as well as no jumping phenomenon and adjustable Precise Positioning up to 400mm both for upward and downward.
- High Speed of 1000mm/sec with adjustable Speed by Control Valve.
- Automatic Self Floating interlocked with Braking and lower Noise Level.
- Safety Feature by Overload Limit Device.
- Additional Check Valve for interruption of Air Supply.
- No Lubrication is required.

Patent No : US6695292  
2001-0056063



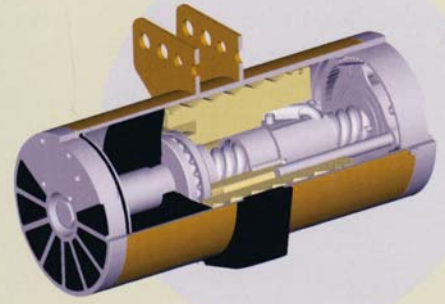
Zero Balancer (ZW Type)



Zero Balancer Control Handle (ZW Type)



Zero Balancer (ZG Type)



## Zero Balancer

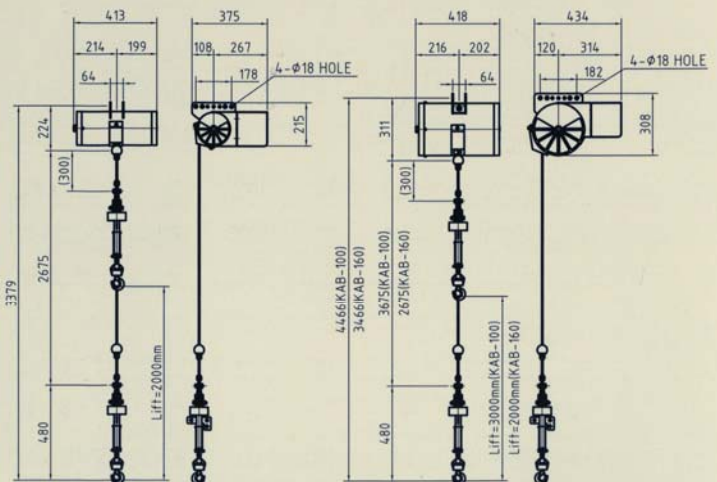
### ► Specifications

Model	KAB-070 ZG	KAB-070 ZW	KAB-070 ZP	KAB-070 ZA
	KAB-100 ZG	KAB-100 ZW	KAB-100 ZP	KAB-100 ZA
	KAB-160 ZG	KAB-160 ZW	KAB-160 ZP	KAB-160 ZA
Max. Load (kg)	60	60	60	60
	100	100	100	100
	153	153	153	153
Control System	Control by Grip	Dual Control	Combination Control	Automatic control
Net Weight (kg)	25	33	33	33
	45	53	53	53
	42	50	50	50
Remark	Wide Use Line	Wide Use Line	Exclusive Use Line	Wide Use Line

Note : specifications are subject to change without prior notice.

KAB-070 ZW, ZP, ZA

KAB-100(160) ZW, ZP, ZA

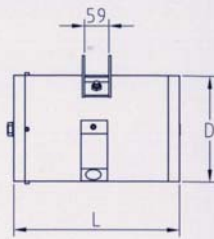


# Air Balancer

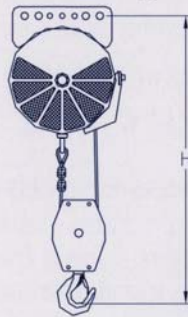


고려호이스트  
KOREA HOIST

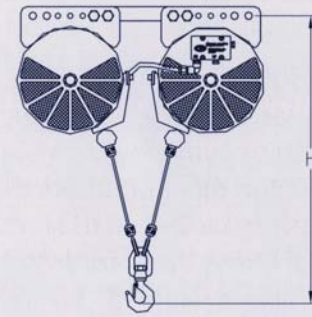
## Dimensions



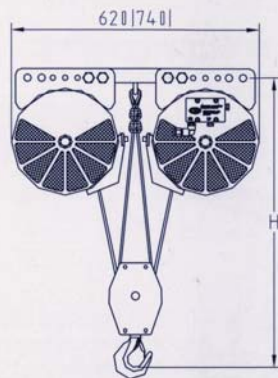
### Reeved Type



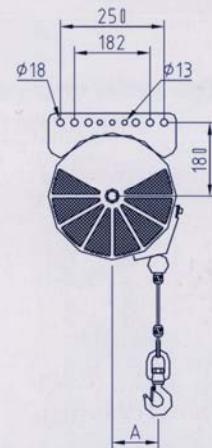
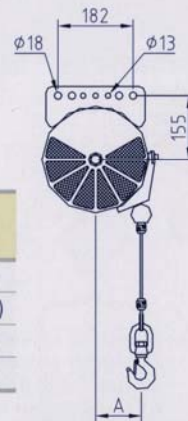
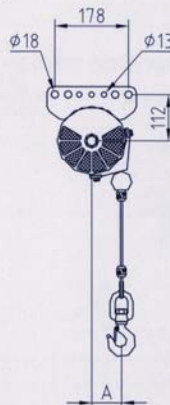
### Tandem Type



### Tandem Reeved Type



### Single Type



Model	"A" Dimension
KAB-070	72mm(2.83inch)
KAB-100	110.5mm(4.35inch)
KAB-160	72mm(2.83inch)
KAB-230	72mm(2.83inch)

KAB-TR400, 640(900)

KAB-070

KAB-100, 160

KAB-230

## ► Specifications

### Single Wire Rope Units(Air Pressure 7kg/cm<sup>2</sup>)

Model	Capacity		Lift		Dia. × L(B) of Body		H		Net Weight	
	kg	lbs	mm	in	mm	in	mm	in	kg	lbs
KAB-070-200	60	132	2000	79	155 × 392	6.1 × 15.43	600	23	23	51
KAB-100-300	100	220	3000	118	260 × 400	10.24 × 15.75	700	28	42.5	94
KAB-160-200	150	331	2000	79	260 × 400	10.24 × 15.75	700	28	40	88
KAB-230-200	220	485	2000	79	310 × 400	12.21 × 15.75	750	30	50	110

### Reeved & Tandem Wire Rope Units(Air Pressure 7kg/cm<sup>2</sup>)

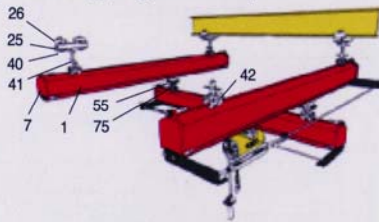
Model	Capacity		Lift		Dia. × L(B) of Body		H		Net Weight	
	kg	lbs	mm	in	mm	in	mm	in	kg	lbs
KAB-R200-150	200	441	1500	59	260 × 400	10.24 × 15.75	700	28	47	104
KAB-T200-300	200	441	3000	118	2-260 × 400	10.24 × 15.75	700	28	92	203
KAB-R320-100	300	661	1000	39	260 × 400	10.24 × 15.75	700	28	45	99
KAB-T320-200	300	661	2000	79	2-260 × 400	10.24 × 15.75	700	28	90	198
KAB-R450-100	440	970	1000	39	310 × 400	12.21 × 15.75	750	30	56	124
KAB-T450-200	440	970	2000	79	2-310 × 400	12.21 × 15.75	750	30	110	243
KAB-TR400-150	400	882	1500	59	2-260 × 400	10.24 × 15.75	700	28	95	209
KAB-TR640-100	600	1323	1000	39	2-260 × 400	10.24 × 15.75	700	28	92	203
KAB-TR900-100	880	1940	1000	39	2-310 × 400	12.21 × 15.75	750	30	115	254

Note. Specifications are subject to change without prior notice.

# KH Track System (Aluminum & Steel)

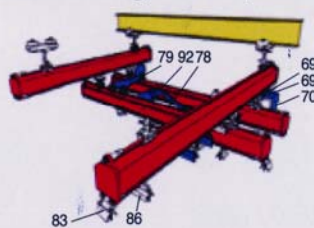
- Non Driving rail system for less cost and maintenance free for Major components including Trolley.
- Trolley is totally protected by steel formed track.
- Easy for Expansion and Modification of Existing Line.
- Comfortable and Easy for operation and Noise Free during Travelling.
- Offering Flexibility against Building Obstruction.
- Simple, fast and safe installation than conventional welding construction.
- Standard fittings save cost, easy and fast Dismantle for relocation, Reusable all parts.
- Ranges of Product 50-2,000kg depending on configuration. Curved Track is another attractive advantage.
- Suitable for Building power supply air supply system and transportation of various tools for assembly line application.

## ► KH single girder suspension crane



- 1 Straight track section
- 2 Joint bolt set
- 4 Curve track section
- 6 Internal buffer stop
- 7 End cap with buffer
- 14 Manufacturer's plate
- 20 Track switch

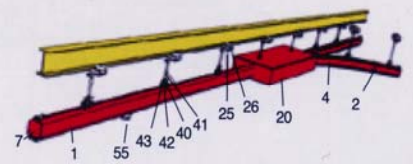
## ► KH double girder suspension crane



- 25 Upper suspension bracket
- 26 Upper suspension clamp
- 40 Ball head suspension rod
- 41 Suspension rod
- 42 Track suspension clamp
- 43 Spring clip
- 55 Trolley

- 56 Load Bar
- 69 Trolley for Friction wheel
- 70 Friction wheel travel drive
- 75 Crane suspension eye
- 77 Spacer bars
- 78 Crab frame
- 79 Bracing frame

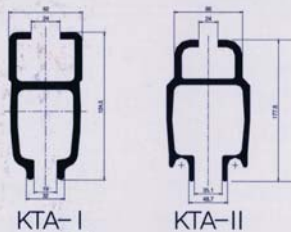
## ► KH monorail track



- 80 Crane bridge cable clamp
- 83 Rail end cable clamp
- 84 Flat cable
- 85 Cable slider
- 86 Cable trolley(Steel)
- 87 Cable trolley(Plastic)

## Aluminum Track

### 1 KTA Track section



### ● MAX.SPAN

Model	Distance between supports	Track Weight				
		80	125	250	500	1,000
KTA-I		4.5	4.1	2.5		
KTA-II				7.0	4.2	2.7

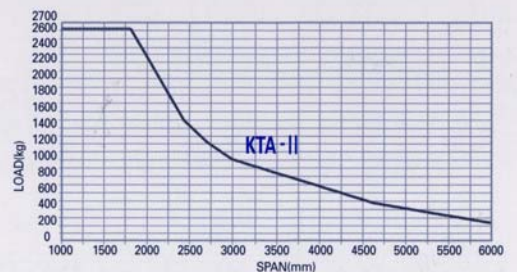
### ● Weight per Meter

Track Weight(Weight per Meter)	
KTA-I	KTA-II
5.66	11.80

### 7 End cap with buffer



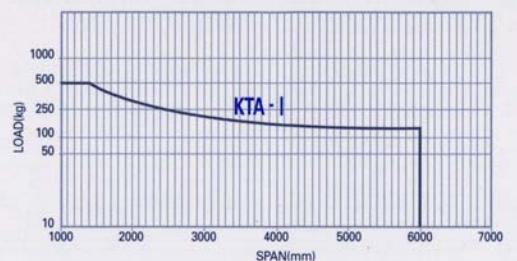
### 25 Upper suspension Bracket Ass'y



### 55 Trolley



### 75 Crane Sus. Eye



Note : Specifications are subject to change without prior notice.



## Steel Track

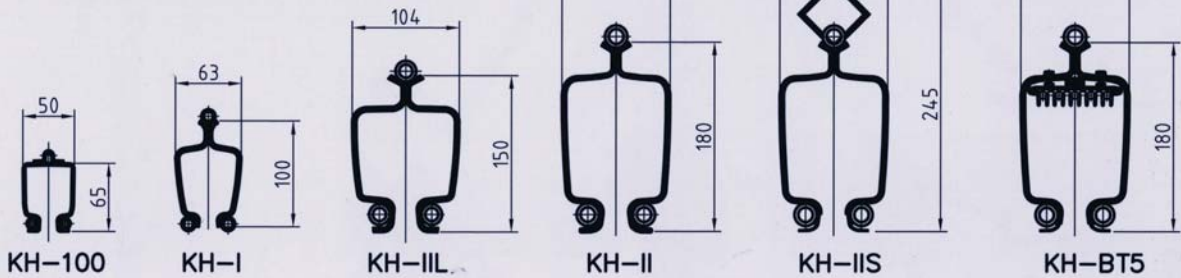
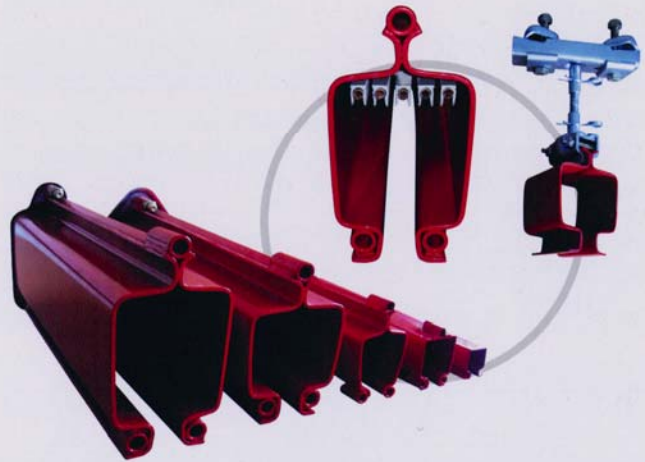
### 1 KTS Track section

#### MAX.SPAN

Model	Distance between supports	Load capacity(kg)				
		80	125	250	500	1,000
KH-100		2.8	2.4			
KH-I		4.6	4.1	2.5		
KH-II-L			7.0	5.8	3.5	
KH-II				7.0	5.4	3.2

#### Weight per Meter

Track Weight(Weight per Meter)					
	KH-100	KH-I	KH-IIL	KH-II	KH-IIS
1M	4.1	6.4	13.2	17	18.7



### 7 End cap with buffer



### 12 Collector Trolley



### 20 Track Switch



### 25 Upper suspension Bracket Ass'y



### 55 Trolley



### 56 Load Bar



### 70 Friction Wheel Travel Drive



### 75 Crane Sus.Eye



### 87 Cable Trolley (Plastic)



# KHC Balaman (발라만)

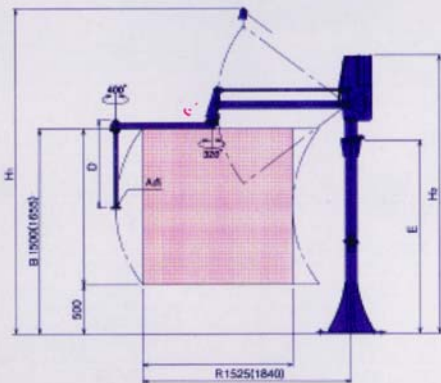
- Produces with easy fabrication result immediacy characteristic, shipping goods line support
- The transfer hour product it shakes immediacy characteristic security.
- In precise assembly operation suitability.
- The product whose handling is difficult, it is damaged to the easy weight back easily to confront, rationalization possibility of work.
- Danger of worker and loss prevention of session.
- 본제품은 일본 TKK사와 기술제휴하여 판매하는 제품임.

## KMS TYPE



### Dimensions

Model	Cap.	H1	B	D	E	H2	R	wt
KMS-50W	50	3338	2110	900	1988	2655	2118	120
KMS-75W	75	3307	2080	900	1997	2673	2350	150
KMS-125W	125	3272	2000	900	2007	2920	2190	180
KMS-150W	150	3880	2155	1179	2270	3194	2347	430

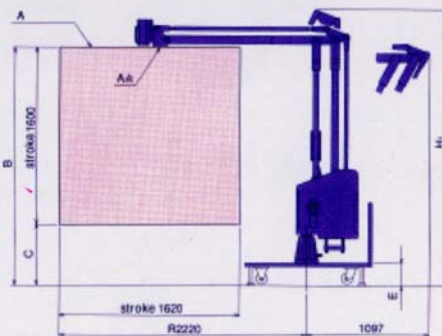


## KMG TYPE



### Dimensions

Model	Cap.	H1	B	C	E	R	wt
KMG-50W	50	2260	1950	350	656	1905	135
KMG-75W	75	2528	2163	583	223	2200	220
KMG-150W	150	2588	2223	623	236	2200	290

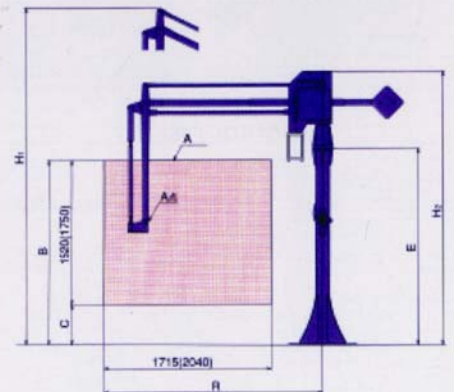


## KMF TYPE



### Dimensions

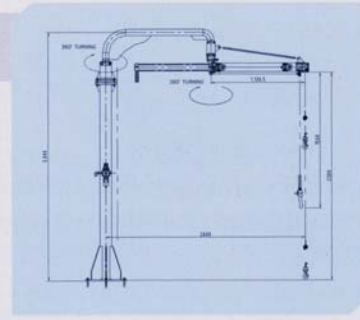
Model	Cap.	H1	B	C	E	H2	R	wt
KMF-75W	70	3487	2020	500	2050	2840	2240	200
KMF-150W	142	3487	2020	500	2050	2840	2240	275
KMF-250W	236	3525	2020	500	2010	2945	2260	404
KMF-375W	351	3525	2020	500	1970	2945	2260	430
KMF-500(W)	435	4045	2250	500	1870	3245	2870	1100



Note : Specifications are subject to change with out prior notice.

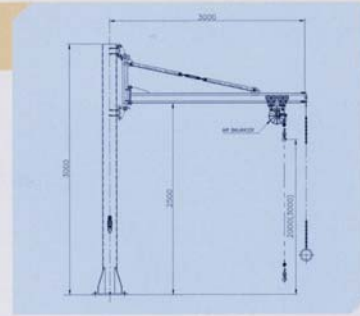
## KBH TYPE

Model	Cap.(kg)
KBH-120	120



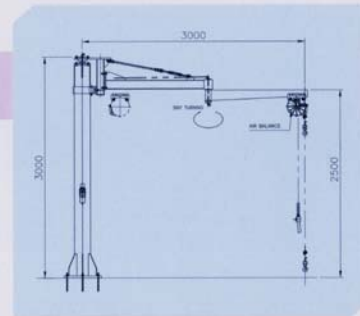
## KBJ TYPE

Model	Cap.(kg)
KBJ-070	60
KBJ-100	100
KBJ-160	150
KBJ-250	250
KBJ-490	490



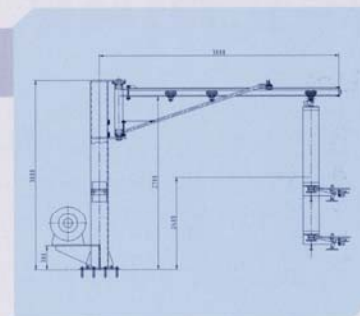
## KBM TYPE

Model	Cap.(kg)
KBM-070	60
KBM-100	100
KBM-160	150



## KBT TYPE

Model	Cap.(kg)
KBT-050	50
KBT-120	120



### Attachments



Note : Specifications are subject to change without prior notice.

# Baby Hoist

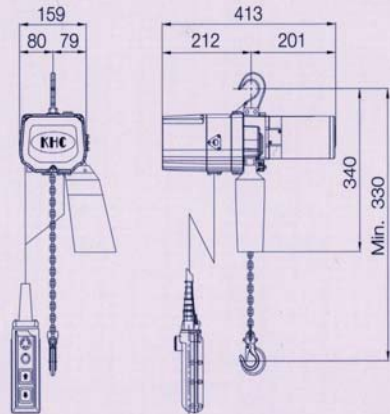
- 180V~240V 1 Phase Plug Type
- Speed Adjustable Dial on Pendant Push Button
- High speed for High Production Efficiency
- Triple Protection for Circuit(Relay & Mechanical & P/B)
- Double Upper Limit (Electric & Mechanical)
- Double Brake (Mechanical & Dynamic)
- Double Emergency Stop (Cut off Main & Control Power at once)
- Mechanical Torque Limit for Over Load Protection
- Low Current Consumption for Low Using Cost (1.5~1.8A)



## ► Specifications

MODEL NO.	UNIT	KEH1S-B180	KEH1S-B350					
Rated Load	(Kg)	180	350					
Motor Power	(W)	300	300					
Load Chain	(mm)	3(1 fall)	3(2 falls)					
Weight	(Kg)	13	15					
Head Room	A(mm)	400	490					
Height	B(mm)	300	300					
Speed	m/min at 60Hz, 240V	No Load	90Kg	180Kg	No Load	175Kg	350Kg	
UP	LOW	CHANGEABLE	3~6	3~6	2~5	1.5~3	1.5~3.0	1~2.5
	HIGH		10	9	8	5.0	4.5	4.0
DOWN	LOW	CHANGEABLE	3~6	3~6	2~5	1.5~3	1.5~3	1.0~1.5
	HIGH		10	9	9	5.0	4.5	4.5

Note : 1. Specifications are subject to change without prior notice.



# Winch(Air, Electric)

- Range of 250-10,000kg
- Able to use for Explosion proof & Dusty area(Spark free)
- Excellent for high humidity area
- Easy to adjust Speed Precious locationing
- Most Safety design

## ► Specifications

Model	Capacity (kg)	Air Motor (kw)	Air Consumption (N-l/min)	Wire Rope Dia (mm)	Wire Rope Speed (m/min)	Net Weight (Kg)	Remark
KAWV025-25	250	1.7	2,200	6.3	25	120	
KAWV050-30	500	3.5	3,500	8	30	250	
KAWP100-25	1,000	6.1	7,800	11.2	25	350	
KAWP200-20	2,000	10.6	11,900	16	20	450	
KAWP300-20	3,000	16.0	19,700	20	20	500	
KAWP500-20	5,000	23.0	25,300	25	20	650	

\* We can renew the product on this catalogue without a notice in order to improve its ability.



# Air Motor

- Vane and Piston type depend on requirement
- Higher performance and wide application to cover 0.5-23kW



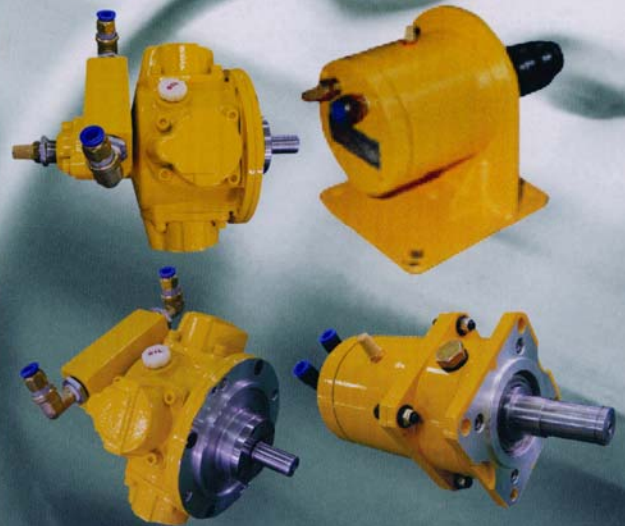
## ► Specifications

Type	Model	Rated Power (kw)	Torques (kg.m)	Velocity (r.p.m)	Air Pressure (kgf/cm <sup>2</sup> )	Air Consumption (N-l/min)	Net Weight (kg)
Vane	KAM-V03	0.38	0.03	10,000	6	580	2
	KAM-V07	0.70	0.22	3,000	6	850	5.5
	KAM-V13	1.28	0.41	3,000	6	2,200	6.5
	KAM-V30	3.00	1.0	3,000	6	3,620	10
	KAM-V40	3.94	1.5	2,500	6	4,955	15
	KAM-V70	7.08	3.4	2,000	6	7,787	35
Piston	KAM-P17	1.7	1.1	1,500	6	2,200	19
	KAM-P35	3.5	3.7	900	6	3,500	33
	KAM-P61	6.1	3.3	1,800	6	7,800	48
	KAM-P10	10.6	6.5	1,600	6	11,900	62
	KAM-P16	16.0	14.0	1,100	6	19,700	80
	KAM-P23	23.0	15.5	1,440	6	25,300	120

※ We can renew the product on this catalogue without a notice in order to improve its ability.

Piston Type

Vane Type



# Air Hand Drill



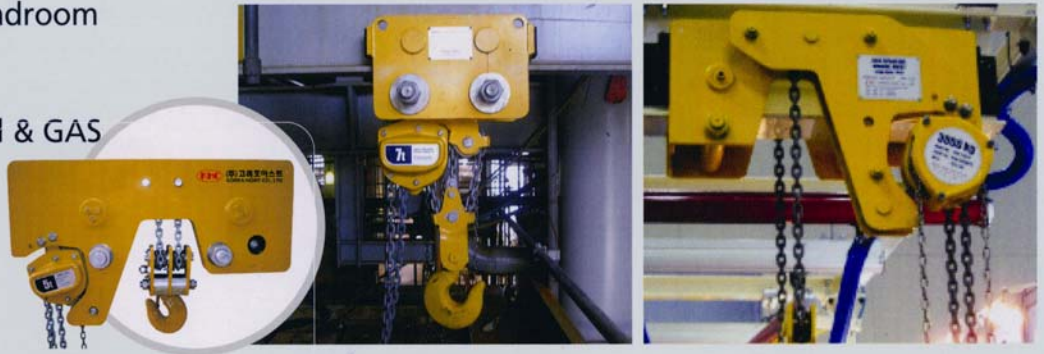
## ► Specifications

Model	Rated Power (kw)	Velocity (r.p.m)	Air Consumption (kgf/cm <sup>2</sup> )	Air Consumption (N-l/min)	Net Weight (Kg)	Remark
KHD1	2.4	1100	6	4000	8.5	

※ We can renew the product on this catalogue without a notice in order to improve its ability.

# Explosion Proof Type Manual Chain Hoist

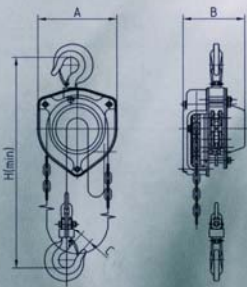
- Low Headroom, Ultra Headroom
- Explosion proof type
- Capacity up to 30 tons
- Various application for Oil & GAS
- Chemical, Petrochemical industries, Shipbuilding, Off-shore & On-shore



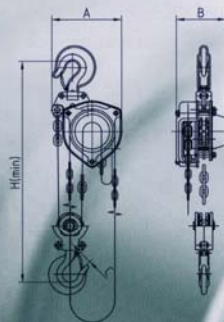
## ► Specifications

### ● Regular Type(KCB-RX)

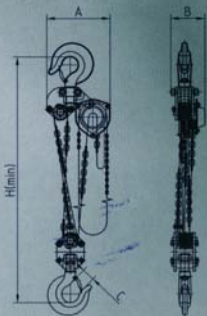
0.5-2TON



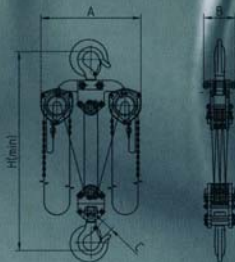
3-5TON



10TON

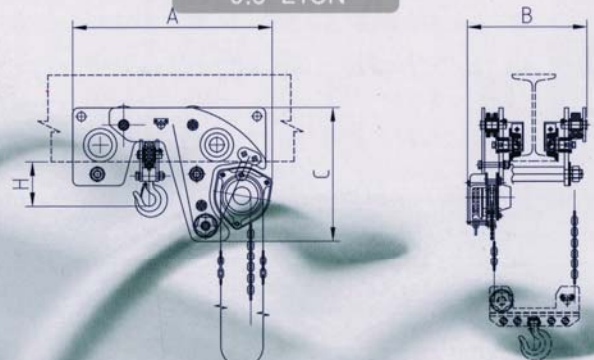


20TON

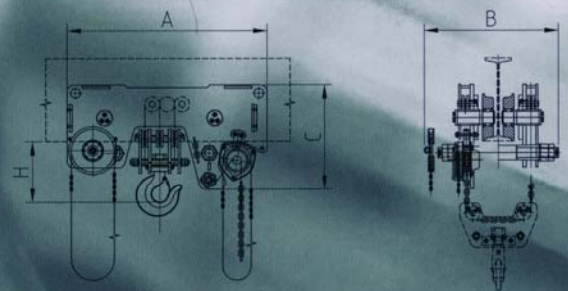


### ● Low Headroom Type(KCB-LX)

0.5-2TON



3-30TON



Model	Capacity (ton)	Lift (m)	Chain Falls	H (mm)	A (mm)	B (mm)	C (mm)	Weight (kg)
KCB-005RX	0.5	2.5	1	312	140	131	31	9.2
KCB-010RX	1	2.5	1	360	156	151	33	12.3
KCB-015RX	1.5	2.5	1	385	176	151	38	14.2
KCB-020RX	2	2.5	1	430	223	183	40	22.3
KCB-030RX	3	3.0	2	490	223	151	44	22.7
KCB-050RX	5	3.0	2	675	252	183	39	41.7
KCB-100RX	10	3.0	4	880	380	183	64	70
KCB-200RX	20	3.0	8	890	650	215	85	213

\* We can renew the product on this catalogue without a notice in order to improve its ability.

Model	Capacity (ton)	Lift (m)	Chain Falls	Head Room H(mm)	A (mm)	B (mm)	C (mm)	Weight (kg)
KCB-010LXS	1	2.5	2	160	695	420	463	223
KCB-020LXS	2	3.0	2	160	695	426	463	223
KCB-030LXS	3	3.0	2	174	750	451	516	250
KCB-050LXS	5	3.0	4	260	1,032	686	580	520
KCB-060LXS	6	3.0	2	305	1,100	686	580	550
KCB-080LXS	8	3.0	2	450	1,230	932	660	790
KCB-100LXS	10	3.5	2	450	1,230	932	660	800
KCB-120LXS	12	3.5	2	450	1,300	973	760	1,500
KCB-150LXS	15	3.5	6	450	1,450	973	760	1,500
KCB-200LXS	20	3.5	8	-	-	-	-	-
KCB-250LXS	25	3.5	10	-	-	-	-	-

\* We can renew the product on this catalogue without a notice in order to improve its ability.



**고려호이스트**  
KOREA HOIST



## Most Advanced Technology

### KHC Chain Hoists for offshore use

KHC offer hoists specially designed for use in the offshore industry. Pneumatic Chain hoists of standard, low or ultralow headroom configuration, Trolleys and Manual Chain Hoists are also available for this purpose



NAME OF SHIP : AGBAMI  
TYPE OF SHIP : FPSO(Floating production Storage Offloading for Petroleum)  
SHEVRON TEXACO  
LOCATION : NIGERIA  
SHIP BUILDER : DSME



### explosion-proof Wire Hoist

with over head crane capacity 16000kg

### Special Coatings and Treatments

- Marine paint 150 $\mu$
- Offshore paint 290 $\mu$
- Additional sandblast preparation and a special carbozinc primer
- Corrosion resistance package :  
Bronze coated base. Please consult us for details.

**KHC winches and hoists have high recognition in key heavy industries such as offshore, oil exploration, chemicals, refining, shipbuildings, mining, tunnelling and steel mills...**



### Pneumatic Chain Hoist

capacity 18000kg / 6 chain falls



### Pneumatic Chain Hoist

with monorail pneumatic trolley capacity 15000kg / 5 chain falls offshore-design



**고려호이스트**  
**KOREA HOIST**

Your Special is Our Standard  
Pioneer, One Source, One Responsibility  
for Material Handling System



**고려호이스트**  
**KOREA HOIST**

**본사 및 공장**

429-450  
경기도 시흥시 정왕동 시화공단 3바 630호  
TEL:031)431-6030(대) FAX:031)431-3630  
Website\_http : //www.koreahoist.co.kr  
E-mail : koreahoist@koreahoist.co.kr

**Head Office & Factory**

3Ba 630, Shiwha Industrial complex, Jungwang-Dong  
Sihungcity, Kyunggi-Do, Korea 429-450  
TEL : (82) 31-431-6030 FAX : (82) 31-431-3630  
Website\_http : //www.koreahoist.co.kr  
E-mail : koreahoist@koreahoist.co.kr