

# Mistrésa CRL-2200

High air volume types for open machining centers

## APPLICATIONS

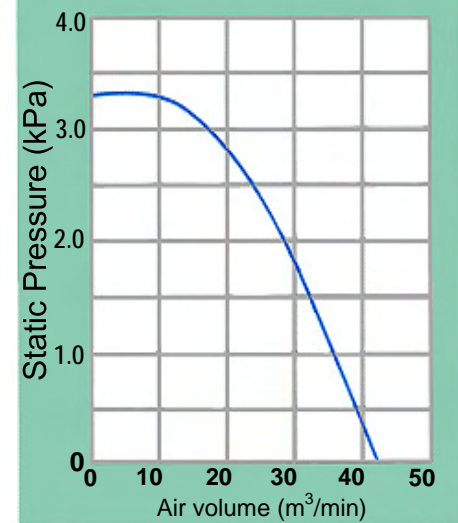
- Manufacturing equipment (for water-soluble cutting fluids)



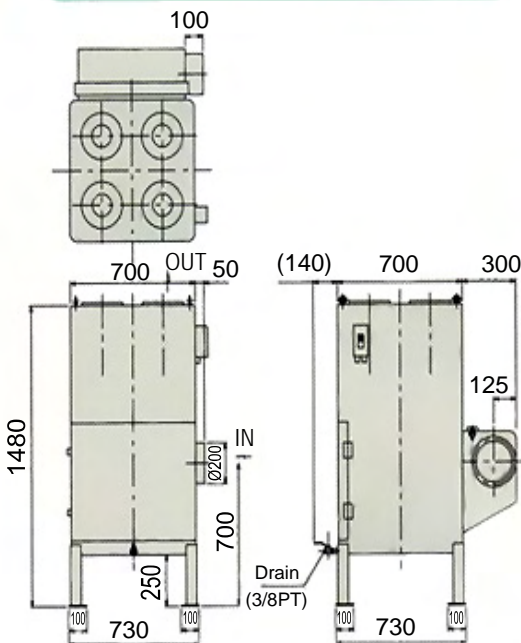
## FEATURES

- Superior collection efficiency**  
Combination of primary filter and special high-performance filter separate and collects mist.
- Handles large-size dust or cutting dust**  
Large-size dust and cutting dust is shut out by the primary filter. (Extra primary filters are included, and they can be washed and reused.) Areas using ventilators designed for Mistrésa use will exhibit maximum performance.
- Easy maintenance**  
Internal inspection and inspection/replacement of all filters can be performed simply by opening the door

## Performance curve 50/60Hz






## DIMENSION DIAGRAMS



## STANDARD SPECIFICATIONS

Item	Model	CRL-2200
Power source		3-Phase 50Hz/60Hz *Refer to the nameplate
Output power	kW	2.2
Frequency	Hz	50/60
Rated air volume	m³/min	30
Rated static pressure	kPa	1.80
Operating noise (at distance of 1m)	dB(A)	69
Collection efficiency	%	98.0 (by weight; oil mist)
Max. intake air temperature	°C	40
Weight	kg	174
Intake diameter	mm	Ø200
Ambient temperature	°C	40
Paint color		Main body: N-8 (White)

## CONSUMABLES LIST

Part name	
	Primary filter
	Secondary filter
	Tertiary filter